

Scorpio 10'



"a new two-section telescopic arm for standard dolly"



The NEW **Scorpio 10'** is a two-section telescopic arm for standard dolly (available adaptors for any brand).

Servicevision has designed this two section telescopic arm to provide to any dolly in the market the possibility of adding a telescopic arm to its featuring.

The **Scorpio 10'** has an optional dolly/base with articulated arms that allows to change its width for standard dolly tracks of 62 cm and for 40 cm *Scorpio tracks*, it also allows a very small and compact configuration for taxiing to go through standard office doors (80 cm)... place your *Scorpio 10'* everywhere needed.

It also has an optional telescopic column that risers-up an extra 54 cm.

Two different operation modes:

- **Electronic:** is standard mode that allows telescopic electronic movement, powering the crane by batteries and warranting the well-known performance of all **Scorpio** telescopic cranes, it's behaviour, smoothness and high precision in low and high speed movements.
- **Manual:** is a new mode that allows to create manual movements, where the operator will be able to move the telescopic by using the hands and the head will follow according keeping the horizon.

As every **Scorpio** telescopic crane, the new 10' preserves the excellence of its bigger brothers.

- Smooth and precise movement in both high and slow speed.
- Noise reduction system of the telescopic arm movement.

One of the new features, now also available for any **Scorpio Crane**, is the possibility of interfacing both **Scorpio Crane** and **Scorpio Head**. This allows features like:

- Back panning, the generator of trajectory and synchronization for the memory menus.

It also has a new generation of Levelling Head:

- With real horizon.
- Over-slung and under-slung capability.
- Adjustable level offset, both manually and electronically.
- Allows to create a manual movement on the arm, levelling the head to the horizon.

Features:

Features with the standard Electronic Box (without screen).


- Automatic compensator of the arc generated by the movement of the arm in both horizontal and vertical.
- Programmable Electronic limits for the arm range.
- Adjustable arm speed and stop damping adjustable.
- Tilt, Pan and Arm encoder reading for motion capture jobs.

The Electronic Box will have an optional removable display that will give access to some information and features additional to the standard Electronic Box, such:

- Screen display of the arm range, vertical and horizontal angles, height to the optic axis in meters and feet, the speed and the damping.
- Movement Generator of the telescopic arm in relation to the horizontal or vertical movement.
- Capability of memorizing the telescopic movement of the arm.
- The Stop Sequence will program different range modes for the telescopic arm.

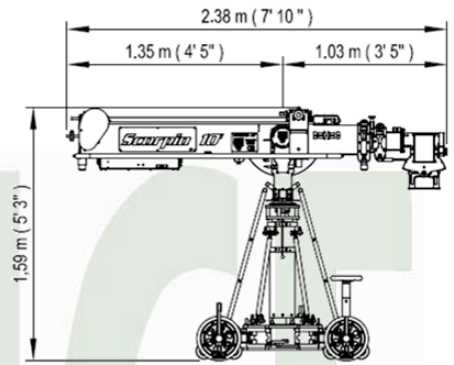
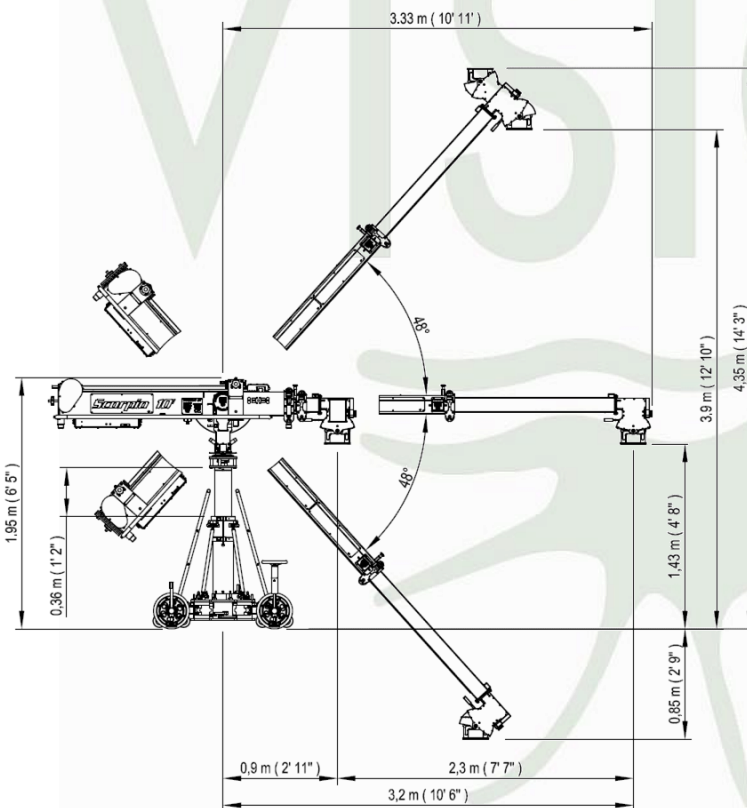
New Features:

System for Tracking the Camera Position in 3D

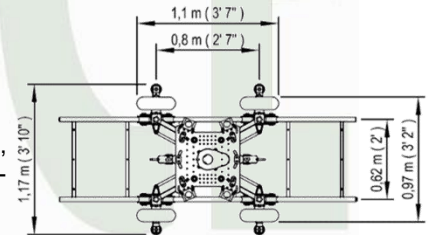
It is a camera tracking system for virtual studio and augmented reality. Scorpio cranes, heads and travelling can perform camera tracking with  integration system for real-time augmented reality and virtual studio broadcasting.

Motion Generator

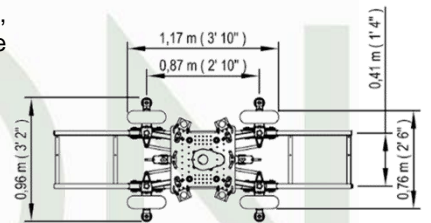
Interfacing possibility between *Scorpio Head* and *Crane*, allowing us to perform back pan, head will follow a target, previously chosen by setting the distance, according to the movements of the crane (Pan, Tilt and telescopic movements).



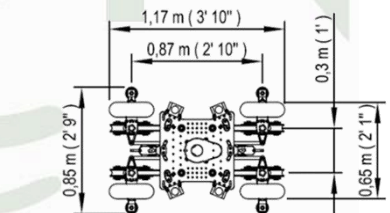
0,62 m (2') TRACKS



0,41 m (1' 4'') TRACKS



SMALLEST CONFIGURATION (FOR TRANSPORT ONLY)



Technical specifications:

Maximum length:	3,3 m (10' 11'')
Minimum length:	0,9 m (2' 11'')
Back length of the arm:	1,35 m (4' 5'')
Telescopic range:	2,30 m (7' 7'')
Loading capacity in under-slung:	60 kg / 132 lb
Loading capacity in over-slung :	45 kg / 99 lb
Required Power:	DC 30 V / 20 A
Output Power for the monitor:	12 V / 3 A

SERVICEVISION BIS S.L.

Calle Ríos Rosas, 20
08940 Cornellà de Llobregat
Barcelona, Spain
Phone +34 93 2238630
Fax +34 93 2238631
comercial@servicevision.es
www.servicevision.es



@servicevision



@servicevision_scorpio



@ServicevisionScorpio