

Scorpio 55'



"Lighter heads, longer cranes"



The **Scorpio 55'** is based on the reliable **Scorpio 45'** sharing the same skeleton components. By adding one more telescopic section and reinforcing some parts of the arm, increases the range by almost 3m(9'7"). This is the best advantage of the **Scorpio 55'**, an additional 10 more feet of range when extended, and same size as the **Scorpio 45'** when retracted.

The application of the latest technological advances allowed us to extend the limits of the **Scorpio 45'** keeping the highlights of the best seller crane of Servicevision and improving it beyond limits.

Long, light, and versatile; the **Scorpio 55'** represents the natural evolution of the **Scorpio 45'**; designed for the most demanding technical productions.

If required by production, the last section can be detached, having a **Scorpio 45'** with 70kg. (154lbs.) payload, in both configurations with the possibility to use any model of **Scorpio Leveling Head** including the **Scorpio LH300**.

Like the standard **Scorpio 45'**, the **Scorpio 55'** has the option to be motorized with the **Scorpio Traction System** adding even more mobility to the crane. Also, the **Scorpio AR system** is fully compatible with the crane.

In terms of compatibility, the **Scorpio 55'** shares the same Electronic box and Dynamic Counterweight System as its sisters, the **Scorpio 45'**, the **Scorpio 38'**, and the **Scorpio 78'**.

Good news is that existing **Scorpio 45'** can be upgraded to the **Scorpio 55'** without affecting their performance. Contact Servicevision for details and availability.



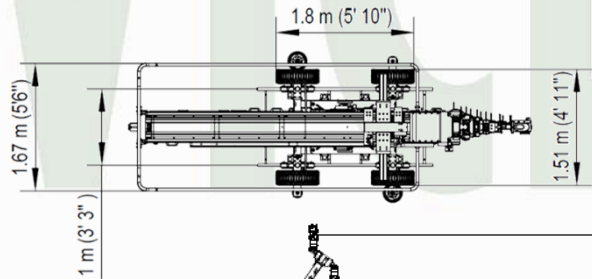
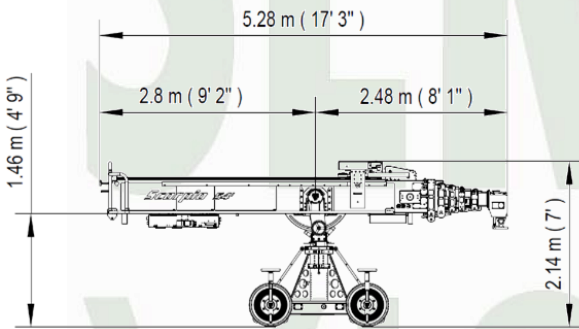
Features:

Digital Electronic control box with:

- Automatic compensator of the arc generated by the movement of the arm in both Pan and Tilt.
- Programmable limits of the telescopic movement of the arm.
- Programmable movements of the telescopic arm.
- Motion Generator of the telescopic arm respect to Pan or Tilt.
- Data displayed on screen: arm range, height of the optic axis and Pan and Tilt angles.
- Arm speed and Damping adjustable and displayed on the screen.
- Programmable Stop Sequence.
- Pan, Tilt and Arm encoder output for Motion Capture jobs. (Servicevision offers the **Scorpio AR system**)
- Interfacing possibility between Scorpio head and crane, allowing to perform back pan with non stabilized heads or tracking.

Technical specifications:

- Maximum length: 16,75 m (55').
- Minimum length: 2,4 m (7'10").
- Back length of the arm: 2.8 m (9'2").
- Telescopic range: 14.25 m (46'9").
- Max. optic axis height: 16.66 m (54'8").
- Telescopic column extension range: 0,84 m (2'9").
- Payload at 55': 40 kg (88 lbs.) (over or underslung).
- Payload at 45' underslung: 70 kg (154 lbs.).
- Payload at 45' over slung: 45 kg (99 lbs.).
- Required power: AC 220V/16A or AC110V/30A.
- Output power for remote head: DC 30V/40A.
- Output power for monitor: DC 12V/3A.
- Arm speed: 3.12 m/s.
- Weight of the crane empty: 1516 kg (3342 lbs.).
- Weight of the crane fully loaded: 2473 kg (5450 lbs.).

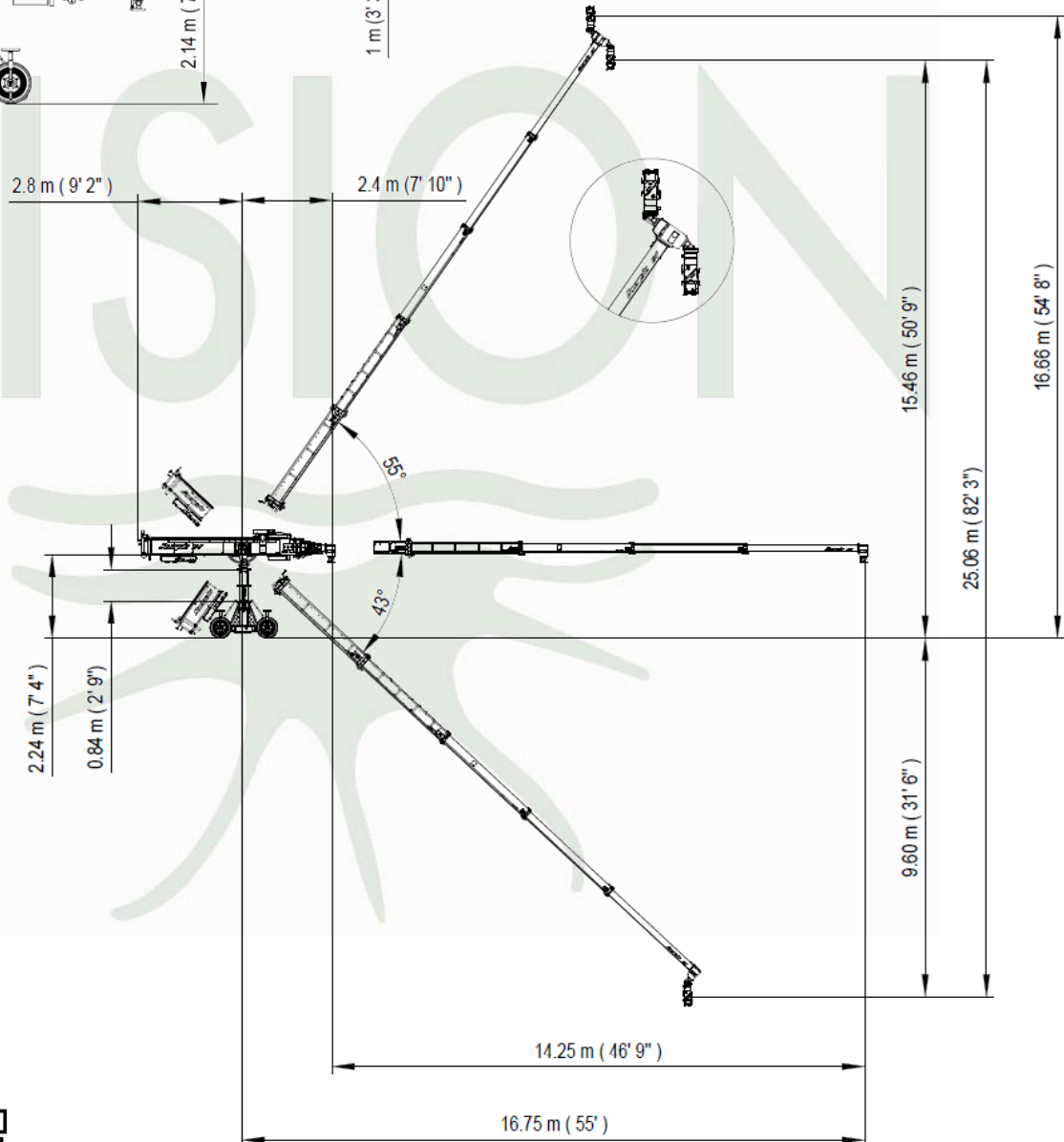


Base:

- 2 telescopic section motorized in the column to rise the position of the arm.
- Travelling wheels for 1 m track
- The wheels pivot over the center of the tires for higher mobility.
- Rod supports for gripping bars
- Removable levelling jacks.

Arm:

- 5 telescopic sections plus Central Arm.
- Smooth movement in high and slow speed.
- Noise reduction system of the telescopic arm movement.
- The head can be mounted Underslung or Overslung or replaced by the **LH300**.
- Dynamic counterweight system to compensate the balance weight during motion.
- Adjustable fluid in Pan and Tilt.
- 55° inclination on the Tilt arm.



SERVICEVISION BIS S.L.

Calle Rios Rosas, 20
08940 Cornellà de Llobregat
Barcelona, Spain
Phone +34 93 2238630
Fax +34 93 2238631
comercial@servicevision.es
www.servicevision.es



@ServicevisionScorpio



@servicevision



@servicevision_scorpio