



"with the technology of the 23', we have designed the 45' instead of the 30' "



Features:

Digital Electronic control box with:

- Automatic compensator of the arc generated by the movement of the arm in both Pan and Tilt.
- Programmable limits of the telescopic movement of the arm
- Programmable movements of the telescopic arm
- Motion Generator of the telescopic arm respect to Pan or Tilt
- Data displayed on screen: arm range, height of the optic axis and Pan and Tilt angles
- Arm speed and Damping adjustable and displayed on the screen
- Programmable Stop Sequence
- Pan, Tilt and Arm encoder output for Motion Capture jobs

Arm:


- 4 telescopic sections plus Central Arm
- Smooth movement in high and slow speed
- Noise reduction system of the telescopic arm movement
- The head can be mounted Underslung or Overslung
- Dynamic counterweight system to compensate the balance weight during motion
- Adjustable fluid in Pan and Tilt
- 55° inclination on the Tilt arm
- Arm handlebars to an easy control for operator in all positions

Dolly:

- 2 telescopic section motorized in the column to rise the position of the arm
- Travelling wheels for 1 m track
- The wheels pivot over the center of the tires
- Rod supports for gripping bars
- Removable levelling jack

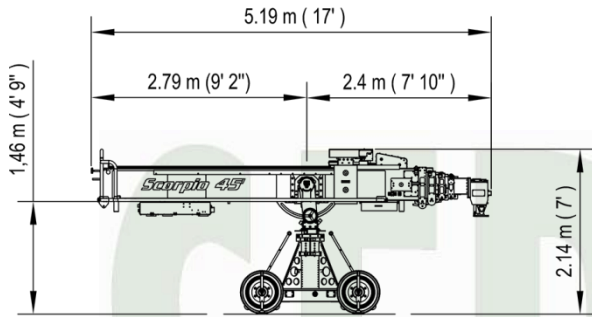
New Features:

System for Tracking the Camera Position in 3D

It is a camera tracking system for virtual studio and augmented reality. Scorpio cranes, heads and travelling can perform camera tracking with  integration system for real-time augmented reality and virtual studio broadcasting.

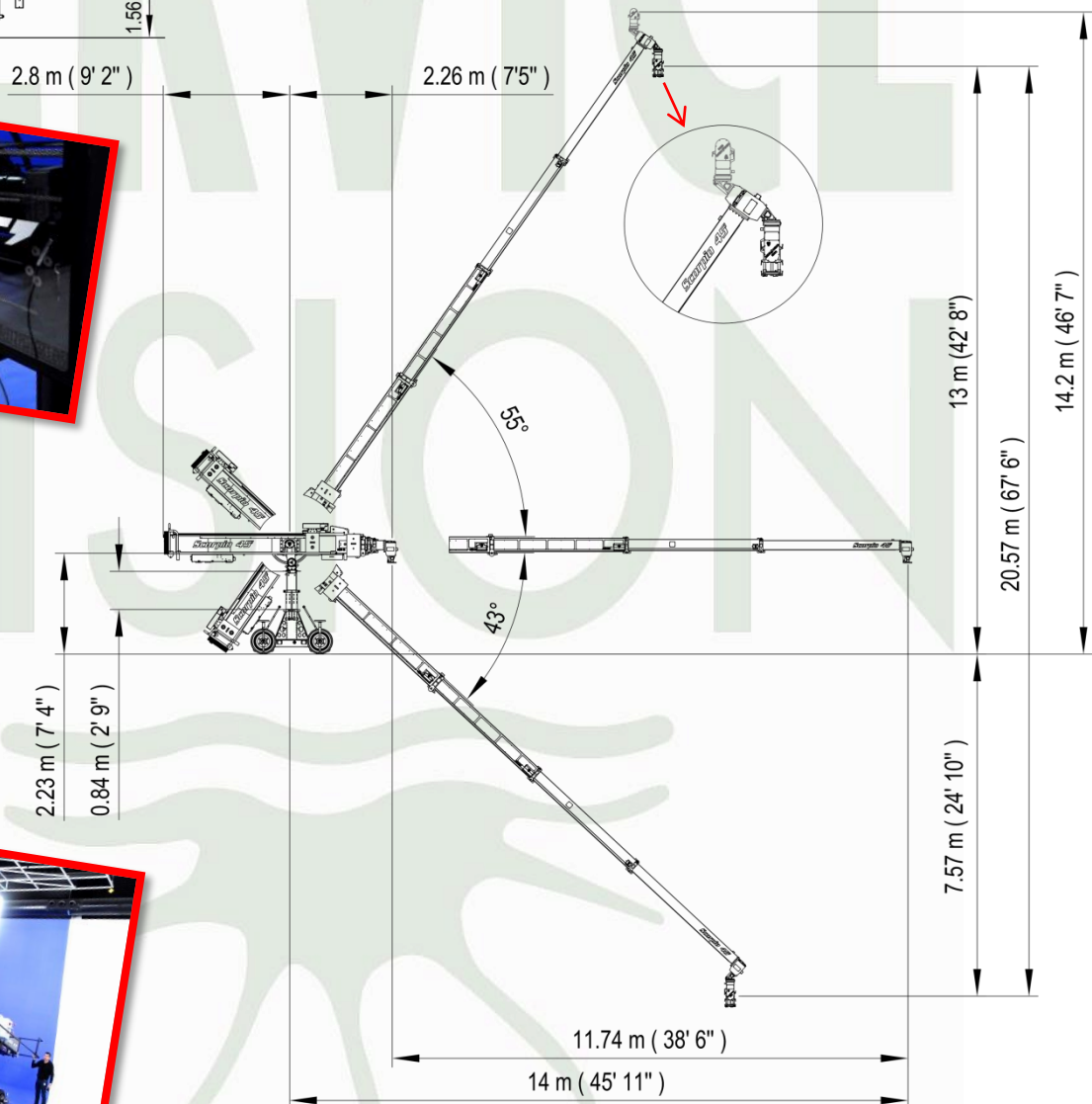
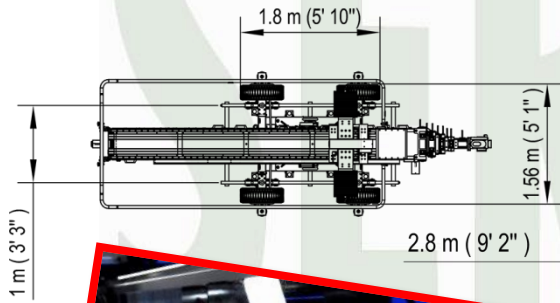
Motion Generator

Interfacing possibility between Scorpio head and crane, allowing us to perform back pan, head will follow a target, previously chosen by setting the distance, according to the movements of the crane (pan, tilt and telescopic movements).



Technical specifications:

- Maximum length: 14 m (45' 11")
- Minimum length: 2,26 m (7' 5")
- Back length of the arm: 2,8 m (9' 2")
- Telescopic range: 11,74 m (38' 6")
- Max. optic axis height: 14,2 m (46' 7")
- Telescopic column maximum extension: 0,84 m (2' 9")
- Payload in Underslung: 70 kg. (154lbs)
- Payload in Overslung: 45 kg. (99lbs)
- Required power: AC 220V/30A or AC110V/30A
- Output power for remote head: DC 30V/20A
- Output power for monitor: DC 12V/3A
- Arm speed: 2,6 m/s
- Full telescope range: 4,6 m/s



SERVICEVISION BIS S.L.
 Calle Ríos Rosas, 20
 08940 Cornellà de Llobregat
 Barcelona, Spain
 Phone +34 93 2238630
 Fax +34 93 2238631
comercial@servicevision.es
www.servicevision.es



@servicevision



@servicevision_scorpio



@ServicevisionScorpio