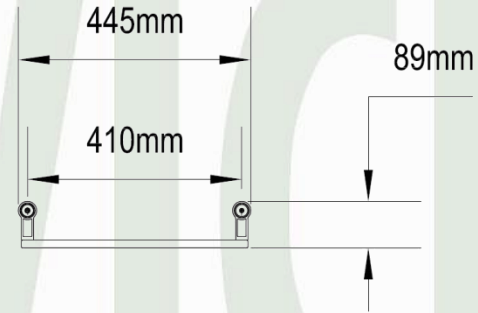
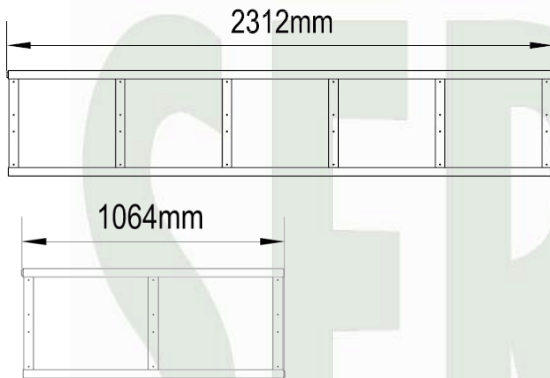
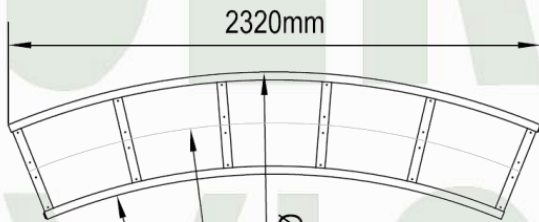


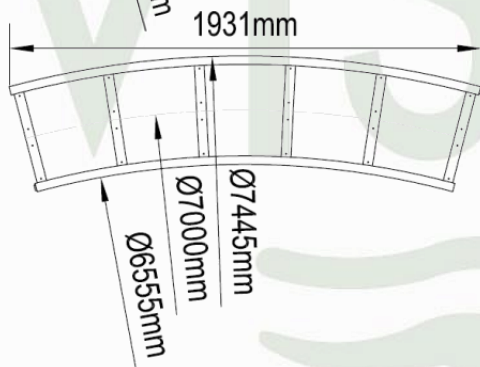
Straight tracks



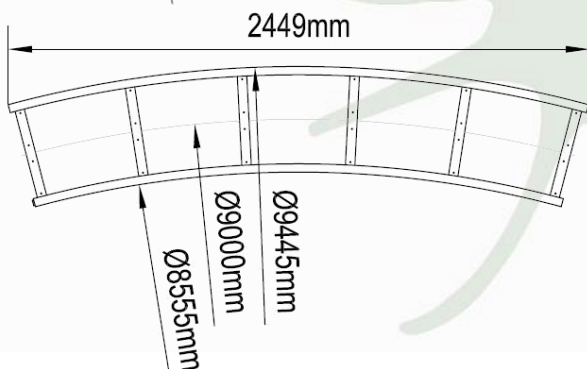
Curved tracks



ST Curved track $\varnothing 5.6\text{m}$ (2.32m length, 45° e.u.)
(8 units each complete circle)



ST Curved track $\varnothing 7\text{m}$ (1.93m length, 30° e.u.)
(12 units each complete circle)



ST Curved track $\varnothing 9\text{m}$ (2.45m length, 30° e.u.)
(12 units each complete circle)



@servicevision



@servicevision_scorpio



@ServicevisionScorpio